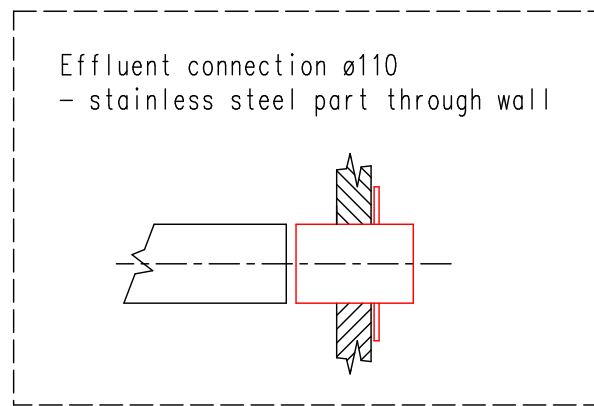
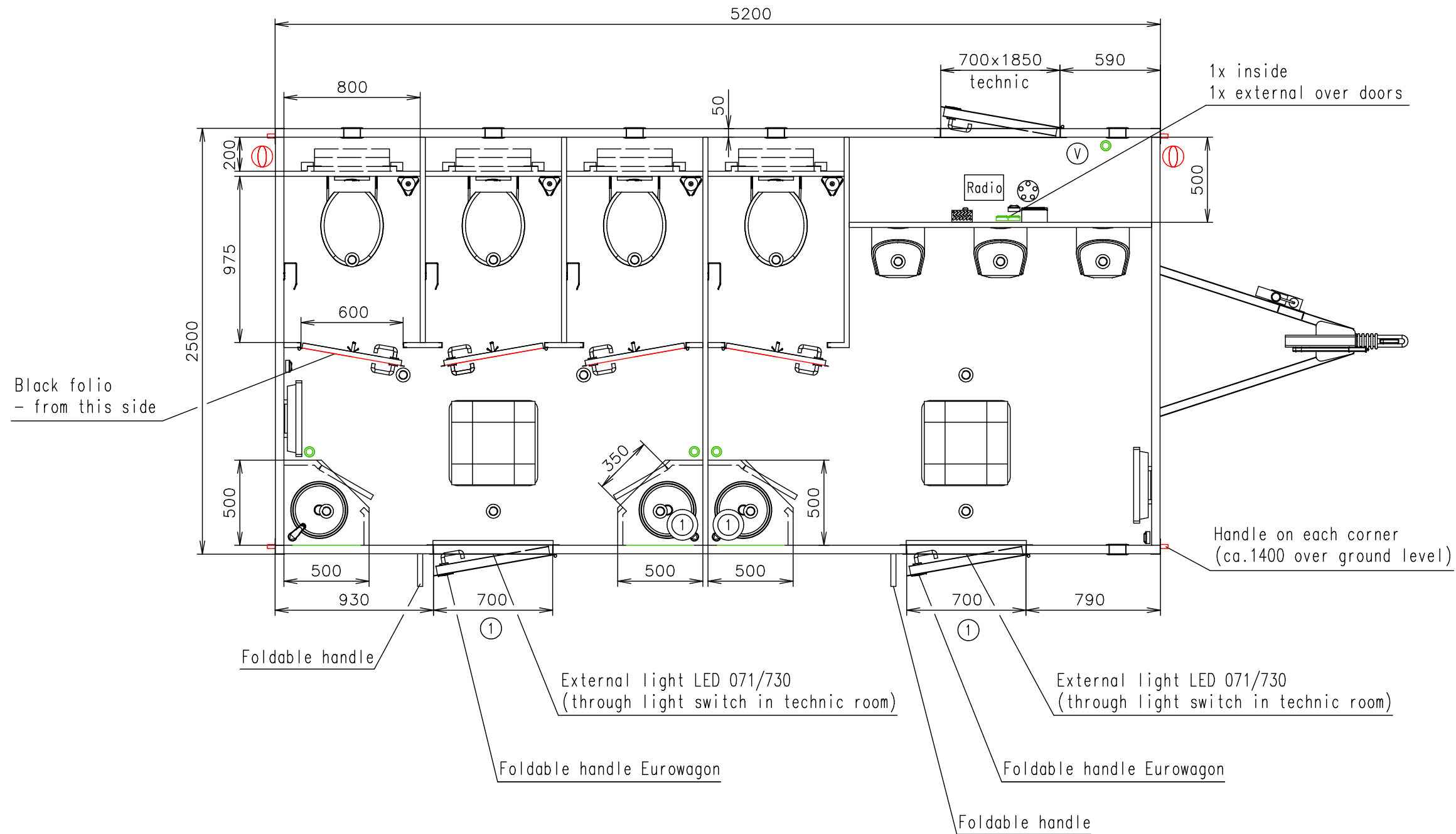


Connection hoses and cables	
Water hose:	✓
Waste water hose:	✗
Electric cable:	✓



Interior doors - black folio (from outside)

Same keys like 3303-37

Notes: Working desks in waterproof compact desk Egger (dark color)

Interior height:	2100 mm	Total weight:	2600 kg
Color:	RAL 9010	Tare weight-estimate:	1600 kg
Floor:	PVC Supreme plus 030	Centre of wheels from rear side:	2540 mm
Date:	21.2.2023	Wheels:	195/50 B10

EUROWAGON

Drawing number:
4272-52-2_1/2 (Kamphake)

(Cabling and piping is not shown on the 3D views and drawings)

Connection hoses and cables	
Water hose:	✓
Waste water hose:	✗
Electric cable:	✓

Ⓧ Water connection 3/4" (through the floor) + filter + reduction valve

Ⓞ Electric connection (through the floor) (230V-16A)

Ⓢ 2x effluent connection ø110 (through wall) - stainless steel part

Ⓟ Power point

Ⓛ Light switch

Ⓜ Switch board (1200 over floor)

Ⓞ LED spotlight

Ⓜ Heating (200W)

Ⓜ Heating (750W)

Ⓞ Floor drain hole

Ⓢ Sink ø335 (stainless steel) + standard water tap (only cold water)

Ⓢ Hanging toilet

Ⓢ Urinal - Vitra Siko (water flush)

Ⓢ Roof window Dometic (400x400)

Ⓜ Ventilation ø120

Ⓢ Brush toilet

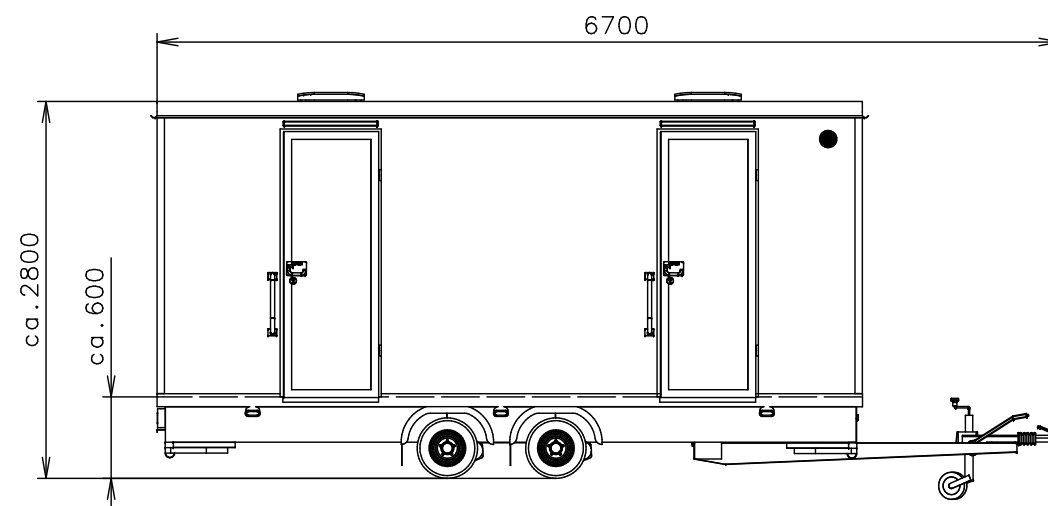
Ⓢ Toilet paper holder

Ⓢ Clothes hanger

Ⓢ Mirror (400x400)

① Foldable stairs Serena (steps - alu sheet metal)

② Speaker - in the roof



Interior doors - black folio (from outside)

Same keys like 3303-37

Notes: Working desks in waterproof compact desk Egger (dark color)

Interior height:	2100 mm	Total weight:	2600 kg
Color:	RAL 9010	Tare weight-estimate:	1600 kg
Floor:	PVC Supreme plus 030	Centre of wheels from rear side:	2540 mm
Date:	21.2.2023	Wheels:	195/50 B10

EUROWAGON

Drawing number:
4272-52-2_2/2 (Kamphake)

(Cabling and piping is not shown on the 3D views and drawings)