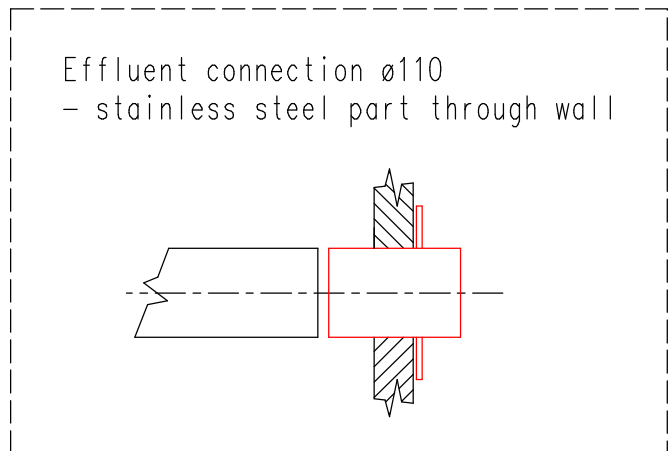
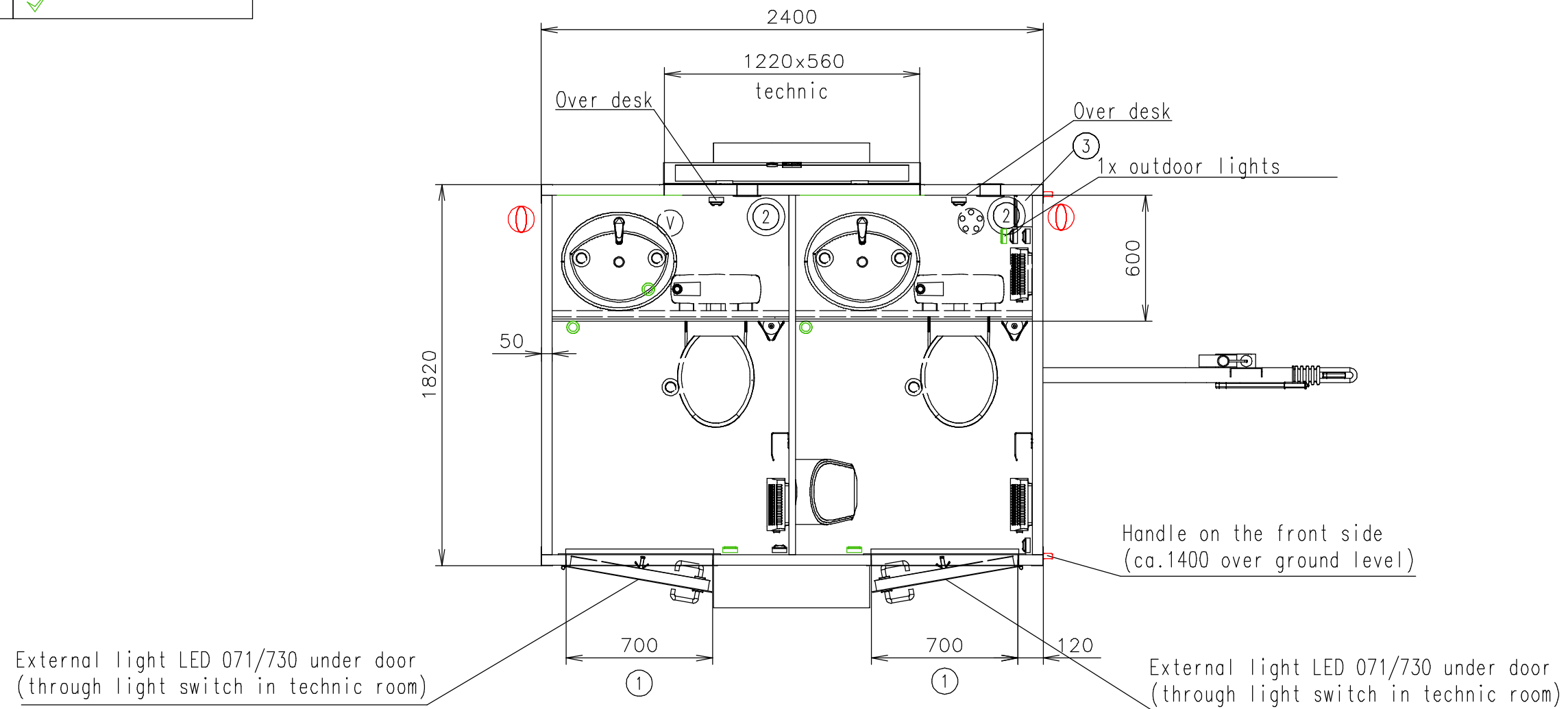


Connection hoses and cables	
Water hose:	✓
Waste water hose:	✗
Electric cable:	✓



Notes: Working desks in waterproof compact desk Egger (dark color)

Interior height:	2100 mm	Total weight:	750 kg
Color:	RAL 9010	Tare weight-estimate:	700 kg
Floor:	PVC Jupiter 148708	Centre of wheels from rear side:	1200 mm
Date:	9.10.2019	Wheels:	165/70 R13

(Cabling and piping is not shown on the 3D views and drawings)

**EUROWAGON**

Drawing number: (2xVIPWCw110+U-24-3)

3404-24-1\_1/2

Connection hoses and cables	
Water hose:	✓
Waste water hose:	✗
Electric cable:	✓

Ⓥ Water connection 3/4" (through the floor)  
+ filter + reduction valve

Ⓢ Electric connection (through the floor)  
(230V-16A)

Ⓞ Effluent connection ø110 (through wall)  
- stainless steel part

Ⓜ Power point

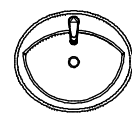
Ⓛ Light switch

Ⓜ Switch board (500 over floor)

Ⓞ LED spotlight

Ⓜ Heating (500W)

Ⓞ Floor drain hole



Wash-basin (built-in) Multi 1690 (550x470)  
+ standard water tap (only cold water)



Urinal - Vitra Siko (water flush)



Hanging toilet



Ventilation ø120



Brush toilet



Toilet paper holder



Clothes hanger



Mirror (600x600) + black frame around



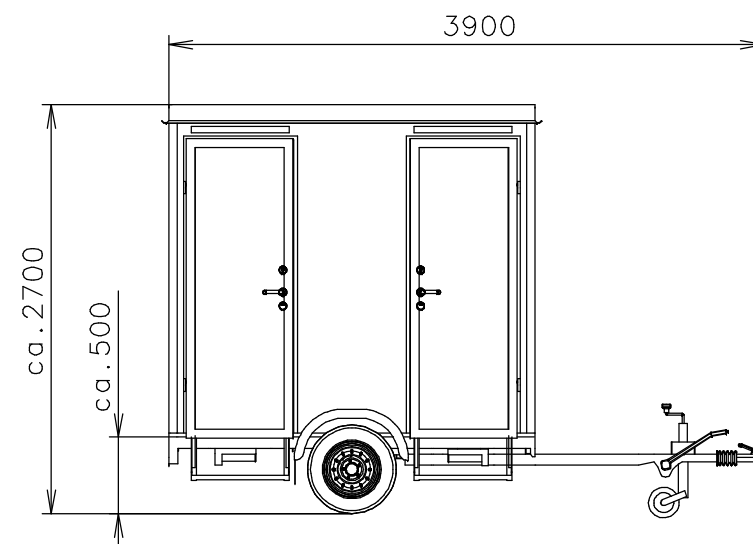
① Foldable stairs Serena (one foldable step)



② Speaker - in the roof



③ Radio



(Cabling and piping is not shown on the 3D views and drawings)

Notes: Working desks in waterproof compact desk Egger (dark color)

Interior height:	2100 mm	Total weight:	750 kg
Color:	RAL 9010	Tare weight-estimate:	700 kg
Floor:	PVC Jupiter 148708	Centre of wheels from rear side:	1200 mm
Date:	9.10.2019	Wheels:	165/70 R13

**EUROWAGON**

Drawing number: (2xVIPWCw110+U-24-3)

3404-24-1\_2/2